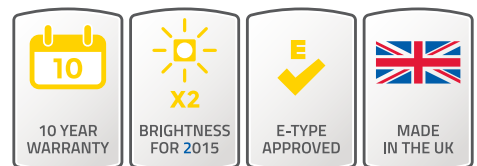


FLUX (F)

- ⦿ Choice of 3 lighting options up to 2250 lumens; > 350 lux @ 1 metre
- ⦿ Anti-glare light guide
- ⦿ 100% dimmable
- ⦿ Trauma & night light options
- ⦿ Slim, low profile surface mount design – only 11 mm
- ⦿ CEN compliant units available



Internal View



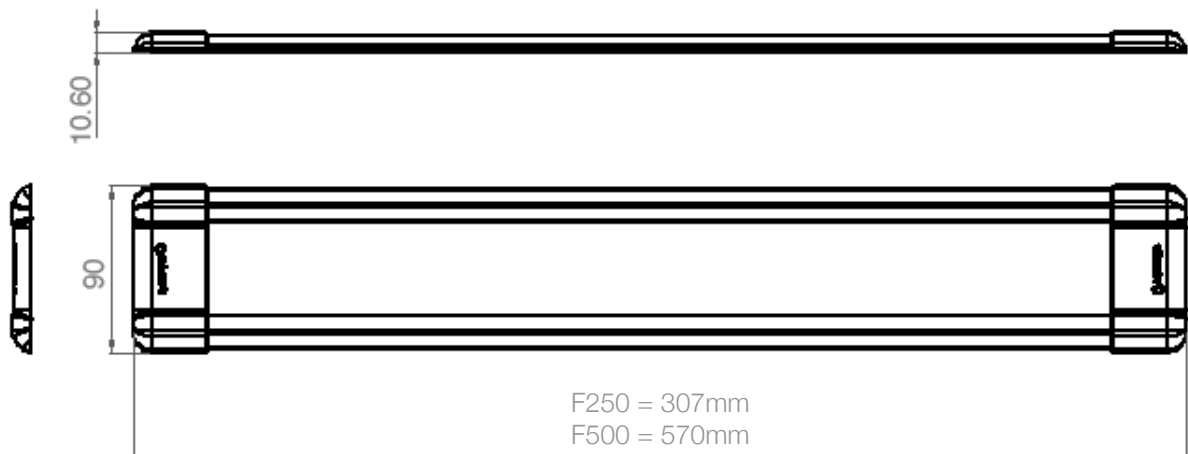
See technical specs overleaf >>>

Labcraft Ltd:

Thunderley Barns, Thaxted Road,
Wimbish, Essex, CB10 2UT
T: +44 (0)1799 513434
F: +44 (0)1799 513437
E: sales@labcraft.co.uk
w: www.labcraft.co.uk



- Choice of 3 lighting levels; 560, 1125 & 2250 lumens** – High output Cree LED technology produces a clean white light and creates a safe environment for both working and leisure conditions.
- Anti-glare light guide** – The acrylic LGP offers a unique patented anti-glare light guide which disperses the light evenly avoiding any hotspots, and provides a cleaner and sharper field of light.
- Trauma & dimmable options** – A chain of blue or red LEDs at both ends provides ample illumination for trauma conditions. The Flux is 100% dimmable when used in conjunction with a pulse width modulator allowing full control over the level of light required.
- Slim, low profile design** - The Flux is less than 11mm in depth providing an extremely slim surface mounted LED lighting solution thereby eliminating the requirement for cutting out recesses, thereby saving on installation time and cost.
- CEN standard available.**



Specification

ALL DIMENSIONS HAVE A TOLERANCE OF +/-1mm

		F250-24	F250-24/2	F500-48	F500-48/2	F500-96	F500-96/2	F500-96T
Voltage Range	VDC	10-15	20-28	10-15	20-28	10-15	20-28	10-15
Average Current	A	0.63	0.31	1.22	0.63	2.5	1.3	2.6
Light Output	lm	562	562	1125	1125	2250	2250	2250
LED Power	W	7.5W	7.5W	15W	15W	30W	30W	31W
Weight	kg	0.25	0.25	0.53	0.53	0.54	0.54	0.55
Temp. Range	°C	-30 to +40	-30 to +40	-30 to +40	-30 to +40	-30 to +40	-30 to +40	-30 to +40
IP Rating	IP	IP50	IP50	IP50	IP50	IP50	IP50	IP50

E & OE