



- ☐ Features:
- Constant voltage design
 - Double insulated mains input
 - Universal AC input/ Full range
 - Withstand 300VAC surge input for 5 seconds
 - Protections: Short circuit/ Overload/ Over voltage
 - Cooling by free air convection
 - Fully encapsulated with IP67 level
 - Fully isolated plastic case
 - Class II power unit, no FG
 - Pass LPS
 - Suitable for LED lighting and moving sign applications
 - 100% full load burn-in test
 - Low cost, high reliability
 - 2 years warranty

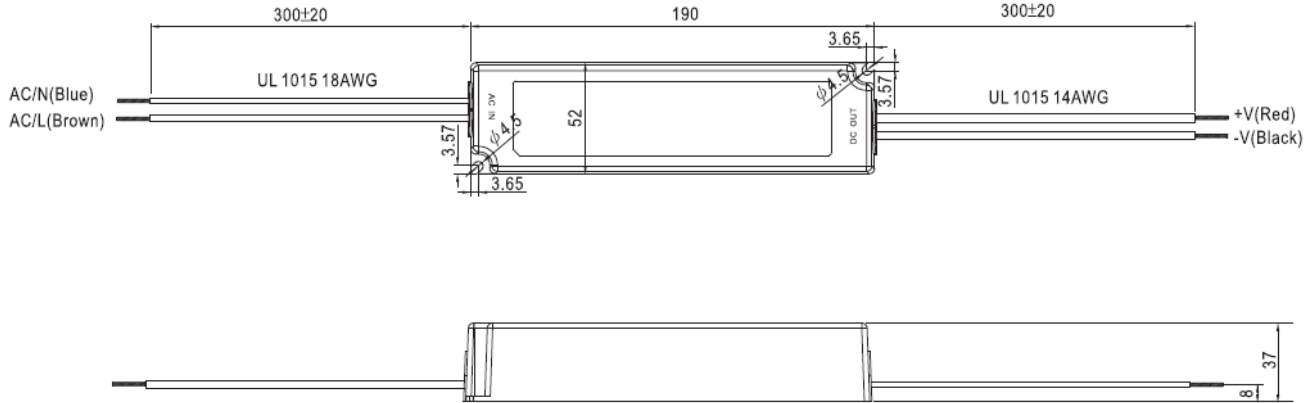


SPECIFICATION

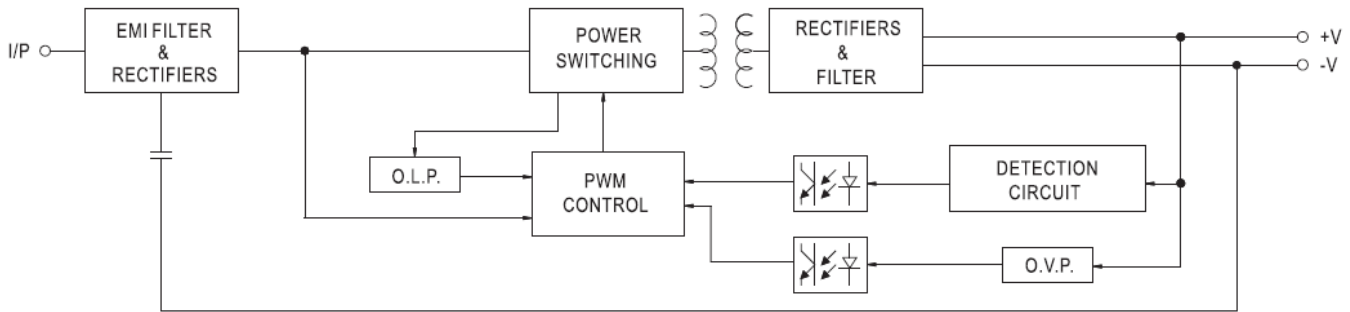
MODEL		LPV-100-12TF	LPV-100-24TF
OUTPUT	DC Voltage	12V	24V
	RATED CURRENT	8.5A	1.5A
	CURRENT RANGE	0 – 8.5A	0- 1.5A
	RATED POWER	102W	100.8W
	RIPPLE & NOISE (max.)	120mVp-p	150mVp-p
	VOLTAGE TOLERANCE	±5.0%	
INPUT	VOLTAGE RANGE	90 – 264VAC 127 – 370VDC	
	FREQUENCY RANGE	47 – 63Hz	
	EFFICIENCY (Typ.)	85%	88%
	AC CURRENT (Typ.)	2.2A/ 115VAC 1.2A/ 230VAC	
	INRUSH CURRENT	COLD START 30A/ 115VAC 60A/ 230VAC	
	LEAKAGE CURRENT	0.25mA/ 240VAC	
PROTECTION	OVERLOAD	110% - 150% rated output power Protection type: Hiccup mode, recovers automatically after fault condition is removed	
	OVER VOLTAGE	13.8 – 16.2V	27.6 – 32.4V
		Protection type: Shut down o/p voltage, re-power on tp recover	
ENVIRONMENT	WORKING TEMP.	-25 – +70°C	
	VIBRATION	10 – 500Hz, 2G 10min./1cycle, period for 60min. each along X, Y, Z axes	
SAFETY & EMC	SAFETY STANDARDS	IP67 approved; Design refer to TUV EN60950-1	
	EMC EMISSION	Compliance to EN55022 (CISPR22) Class B, EN61000-3-2 Class A (≤80% load) , EN61000-3-3	
	EMC IMMUNITY	Compliance to EN61000-4-2,3,4,5,6,8,11, EN55024, light industry level, criteria A	
OTHERS	DIMENSION	190*52*37mm (L*W*H)	
	PACKING	0.63Kg; 20pcs/13.6Kg/0.51CUFT	

Mechanical Specification

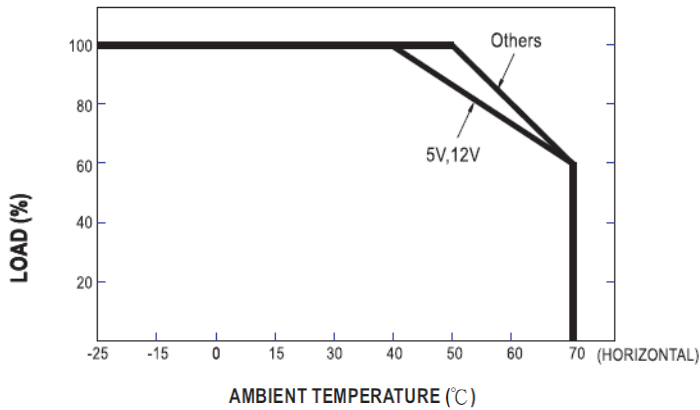
Case No. 999A Unit:mm



Block Diagram



Derating Curve



Static Characteristics

